

Single Axis Servo Positioner 500kg



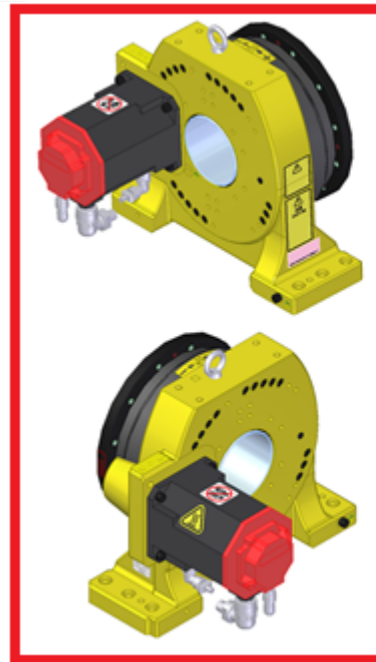
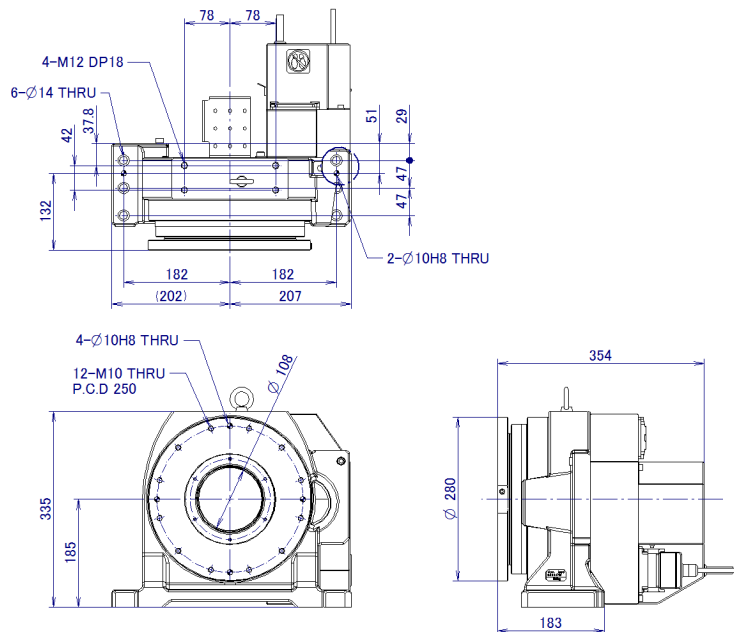
Max. load capacity: 500 Kg

FANUC

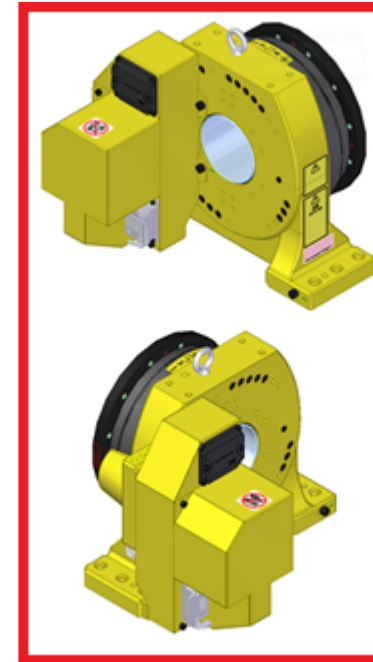
Single Axis Servo Positioner 500kg

Motion Range	Motion Speed Degrees/sec (rad/sec)	Payload (Kg)	Load Moment N*m (kgf*m)	Bending Moment N*m (kgf*m)	Load Inertia Kg*m ² (kgf*cm)	Repeatability (mm)	Weight (Kg)
740° (-370° / +370°) Continuous Rotation is available	160 (2.79)	500	735 (75)	4,000 (408)	360 (3,673)	± 0.02mm (R=500mm)	85

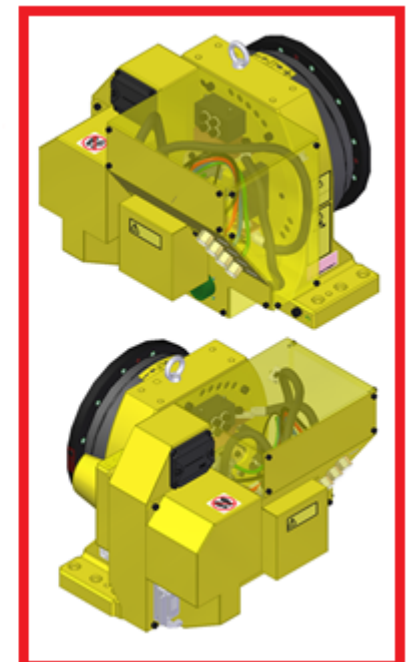
NOTE Rotary Weld Ground can be ordered as part of the continuous turn package or provided by customer



Single Axis Positioner



Single Axis Positioner with Motor Cover Option



Single Axis Positioner with Continuous Turn Option