

# Two-Axis Servo Positioner

## Basic Description

FANUC Robotics' Two-Axis Servo Positioner is a high performance positioner designed to provide automation integrators a flexible, reliable and cost effective solution for part and tool manipulation.

Two-Axis Servo Positioner includes FANUC servo motors, integrated piping and weld power cable, near zero backlash RV-reducer and faceplate with dowel holes to ensure fixture location repeatability.

High speed and excellent payload provide higher throughput and precision. Reliable and compact positioner complements any robot system requiring part manipulation while processing.

## Features and Benefits

- Compact and rigid structure improves weld quality.
- Integral battery backup maintains pulse coder values after removal of power and reduces integrator setup time.
- 500 kg payload capacity with highest moment, inertia and speed in class.
- IP54 rating provides protection and improves reliability.
- Integrates with all R-30iA Controllers.
- Model available in ROBOGUIDE®-WeldPRO™ for quick CAD-to-path program generation.
- ROBOGUIDE-WeldPRO programs can be easily calibrated to the actual workpiece with iRvision™ sensor.
- Dependable FANUC AC servo motors that deliver reliable robot performance are used on the servo-controlled positioner axes.

Note: ROBOGUIDE and ARC Mate are registered trademarks of FANUC LTD.



- Welding earth cable and piping/wiring are integrated into hollow drive mechanism in the positioner enabling easy and quick set up of the positioner and tooling.
- Compatible with all major brands of welding equipment.
- Multiple mounting positions include upright, inverted, wall or angle mount with no changes to the mechanical unit.

## Options

- Coordinated motion option integrates into ARC Mate® series robots and greatly increases welding quality by constant relative speed and posture.
- Various connection cable lengths for flexible positioner placement.
- Local Stop hardware can be used to disconnect the motors from the amplifier while allowing the robot to continue to run.



Utility connections at faceplate

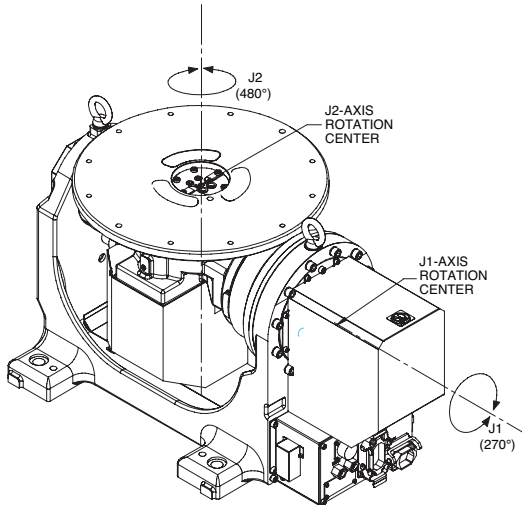


Utility connections at base

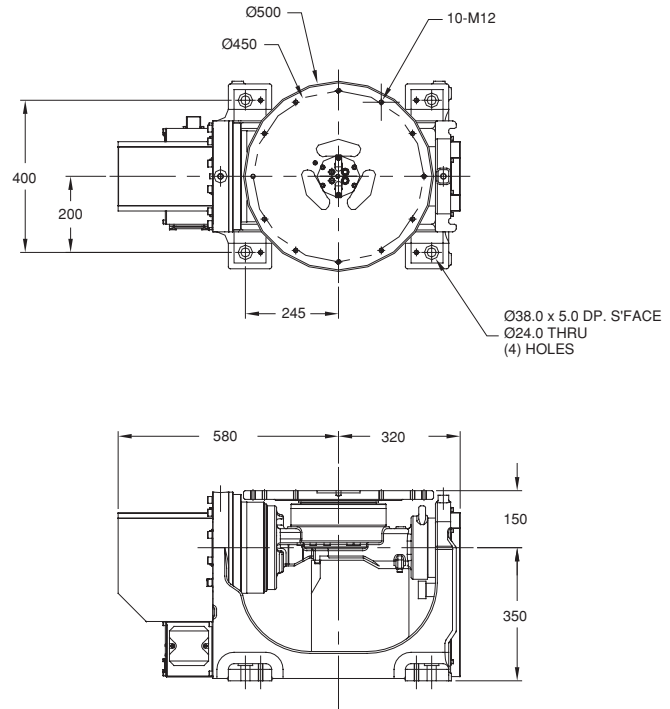
Note: ROBOGUIDE and ARC Mate are registered trademarks of FANUC LTD.

# Two-Axis Servo Positioner Dimensions

## Isometric

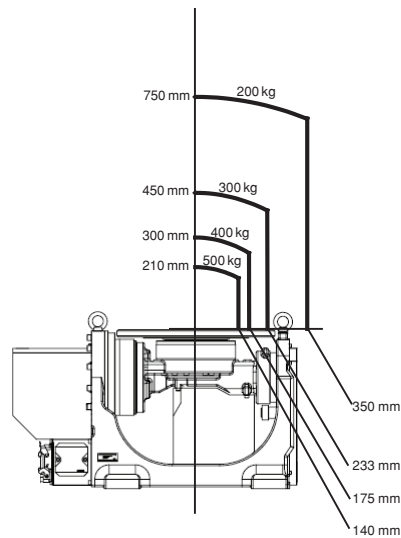


## Mounting Dimensions



Side

## Load Graph



Front

## Two-Axis Servo Positioner Specifications

Items		
Axes		2
Payload (kg)		500
Repeatability (mm)		±0.1
Interference radius (mm)		290
Motion range (degrees)	J1	270
	J2	480
Motion speed (degrees/s)	J1	120
	J2	190
Load moment N-m (kgf-m)	J1	1764 (180)
	J2	686 (70)
Load inertia (kg-m <sup>2</sup> )	J1	300
	J2	100
Mechanical brakes		All Axes
Mechanical weight (kg)		295
Mounting method		Floor, ceiling, angle, and wall
Installation environment		
Temperature (°C)		0 to 45
Humidity		Normally: 75% or less Short term (within a month): 95% or less No condensation
Vibration (m/s <sup>2</sup> )		.5 or less

**Note:** Dimensions are shown in millimeters. Detailed CAD data are available upon request.

## Intelligent Robot Solutions



**FANUC Robotics America, Inc.**  
**3900 W. Hamlin Road**  
**Rochester Hills, MI 48309-3253**  
**(248) 377-7000**  
**Fax (248) 377-7362**

**Charlotte, NC**  
**(704) 596-5121**  
  
**Chicago, IL**  
**(847) 898-6000**

**Toronto, Canada**  
**(905) 812-2300**  
  
**Montréal, Canada**  
**(450) 492-9001**

**For sales or technical information, call:**  
**1-800-iQ-ROBOT • 1-800-47-ROBOT**

**Cincinnati, OH**  
**(513) 754-2400**

**Aguascalientes, Mexico**  
**52 (449) 922-8000**

**Los Angeles, CA**  
**(949) 595-2700**

**Sao Paulo, Brazil**  
**(55) (11) 3619-0599**

**marketing@fanucrobotics.com**  
**fanucrobotics.com**

**Toledo, OH**  
**(419) 866-0788**